

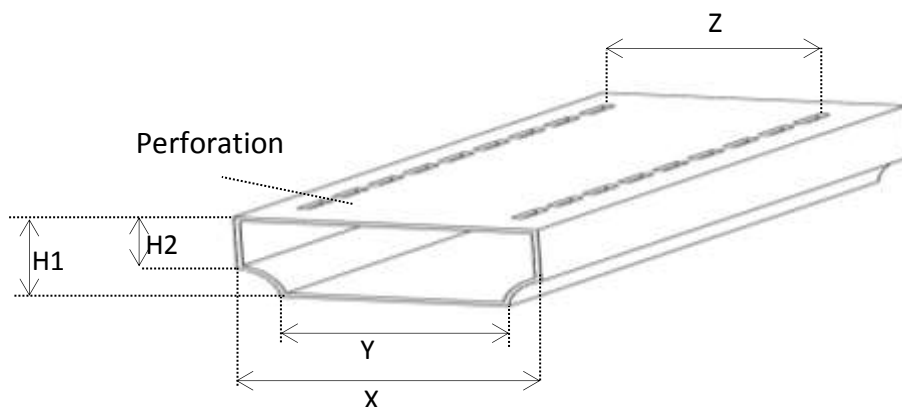
### PRODUCT DESCRIPTION

ALUMINIUM SPACER BARS are manufactured with welding process. They are classified as cut&key and bendable versions. Aluminium material thickness varies from 0,16 mm for lower conductivity and cost efficiency up to 0,35 mm for bendability and strength. There are different sizes of spacers with nominal width from 6 mm to 20 mm. Standard lengths are 3 m, 5 m and 6 m. Other lengths are optional on request. Name, date and imprinting are available. Also, NEDEX can produce colorful spacers on demand.

The production is provided by the latest roll forming and high frequency induction welding equipment for continuous production of high quality products. As optional, it is possible to deliver pre-butyliized spacers.

### TECHNICAL SPECIFICATION

Chartacteristics	Welded aluminium spacers
Appearance	Aluminium color; can be colored on demand
Thickness	0,16-0,35 mm
Bending properties	Can be bent if produced upon



Nominal Size [mm]	X +/- 0,1 [mm]	Y +/- 0,1 [mm]	Z +/- 0,1 [mm]	H1 +/- 0,1 [mm]	H2 +/- 0,1 [mm]
6	5,50	1,60	3,00	6,50	4,30
8	7,50	3,60	4,50	6,50	4,30
9	8,50	4,60	5,50	6,50	4,30
10	9,50	5,60	6,50	6,50	4,30
11	10,50	6,60	7,50	6,50	4,30
12	11,50	7,60	8,50	6,50	4,30
14	13,50	9,60	10,50	6,50	4,30
16	15,50	11,60	12,00	6,50	4,30
20	19,50	15,60	16,00	6,50	4,30

EN 1279-6 reference to table A.2 & A.5

Ref. No.	EN Ref.	Description/Specification	Internal Test Method
<b>1.0 Further Spacer Properties</b>			
1.1	2.3 2.4	<b>Geometry/shape</b> The spacer geometry is shown in the cross section picture above. Tolerances are above.	Visual and slide gauge
1.2	2.2	<b>Length and straightness</b> Standart length is 6000 mm +/- 10 mm.	Steel ruler
1.3	2.7	<b>Welding</b> The welding is continous and suitable both pre-filled and empty.	Twirl test
1.4	2.6	<b>Perforation</b> Adequate quantity of perforations are measured with UV-visible liquid under the UV-lamb.	UV-visible test
<b>2.0 Spacer Material</b>			
2.1		<b>Material</b> Material used is according to DIN EN 10204 3.1.	
2.2		<b>Surface</b> The surface is clean and do not undergo any treatment with chemicals.	Visual test & adhesion test
2.3		<b>Tolerances of the material</b> The tolerances of wall thickness is +/-0,01 mm	
2.4		<b>Volatile elements</b> Volatile elements are tested according to EN 1279-6 annex G. Relative to the spacer weight the maximum volatile content is 0.05 %.	Volatile test

### 3.0 Quality aspects

#### 3.1 Quality management

Aluminium spacer is certified according to TÜV SÜD TS EN ISO 9001:2008.

#### 3.2 Tests of the product

Processes and routines are established to secure the quality of the delivered material. During production the spacers are constantly monitored through random checks. Data will be available for a period of 3 years.

#### 4.0 Customer-focused

To secure the performance of the spacers, the stock conditions must be acceptable. Broken packaging, high humidity and variations in temperature will have an effect on the spacer surface. It is recommended to check out these specific points.

**STORAGE**

Frost-sensitive	None. Prior to processing, the product must be brought to a suitable processing temperature.
Recommended storage temperature	+5°C to +25°C. Must be protected from direct sunlight and/or thermal radiation. Storage at temperatures below +5°C and above +25°C does not cause damages to the product, but requires a control.

**PACKAGING**

Carton boxes	between 3-6 meters long carton boxes
--------------	--------------------------------------

**Hazard Indications Safety Recommendations Transport Regulations**

See Safety Data Sheet

**Disclaimer:**

The information, specified in this Product Information, is based on careful laboratory tests and prevailing practical experience. The information is not binding, which is also generally true for our practical customer service, given verbally, in writing and by tests, since, on account of the diversity of applications and use, also including possible industrial property rights of third parties. Analysis results and all information regarding state and suitability of our products are only guidelines with no obligation on our part. In addition, our General Sales and Delivery Conditions are applicable.

**Warranty Information:**

NEDEX warrants only that its product will meet its technical specifications. NEDEX shall in no event be liable for incidental or consequential damage.

NEDEX's liability expressed or implied is limited to the stated selling price of any goods found defective.

This Technical Data Sheet supersedes all previous editions.